

JRC

COLOR LCD RADAR-PLOTTER RADAR 1800



Features

- 6.5-inch Bright Color TFT LCD Display, viewable in sunlight
- 2kW transmit power + a Low Noise Amplifier receiving circuit provides equal performance to previous 4kW models
- Target detection using scan correlation signal processing technology
- Automatic/Manual settings for STC and Tune functions to enhance target visibility
- Optional Inter switch provides second station capability (to be released later)
- Graphical display of Wind direction, Wind speed and VMG (need NMEA data)
- Tide graph and Port service guide by C-MAP CF95 C-card
- Edit Waypoints and Routes on Customer's PC using RS232C Interface (Option)

JRC *Japan Radio Co., Ltd.*

SPECIFICATIONS

General:

Display	6.5-inch Color LCD (TFT)
Resolution	234 x 320 pixels
Units	Speed/Distance: KTS/NM, KPH/KM, MPH/SM Water Temperature: , °F
Alarms	Arrival, Anchor, Off Course, Zone
Display Mode	1)Radar 2)Radar/Chart 3)Chart Plotting 4)CDI/COMPASS 5)Numeric Data 6)Wind Direction
Nav Interfaces	GPS x 1 (Direct Connection To GPS112 or DGPS212) NMEA0183 x 1 (Input sentences: GGA, RMC, GLL, VTG, MTW, HDT, HDG, HDM, DPT, DBT) (Output sentences: GGA, RMB, RMC, GLL, VTG, APB, BWC, BOD, XTE, RSD, OSD)
Compass Interface	NMEA0183 x 1 (JLR-10 or Magnetic Compass)
PC Interfaces	RS-232C (for PC interface: Option)
Simulator	Built-In
Power requirements	12V DC
Power consumption	Approx. 50W
Water Resistance	Scanner: CFR46, Display: Ipx5

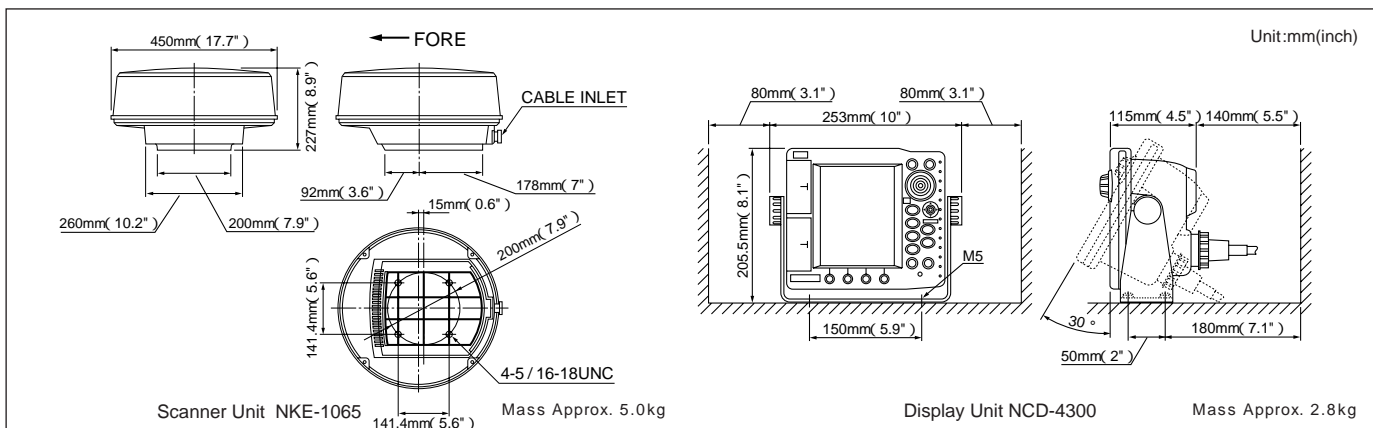
Chart Plotter Section:

Chartgraphic data	C-MAP micro C-cartridge (2 slots)
Chart Scale	0.02nm to 400nm (if chartgraphic data is available)
Waypoints	1000 waypoints
Routes	40 routes (100 waypoints/route)
Marks	10000 points (total including vessel's track)

Radar Section:

Radome type	1.5'Diameter
Antenna beam width	Horizontal 5.2 °, Vertical 30 °
Rotation speed	Approx. 32rpm
Transmitting Frequency	9445MHz ± 30MHz
Peak Power	2kW
Pulse width/PRF	0.08 μ S/2250Hz, 0.3 μ S/1200Hz, 0.8 μ S/600Hz
IF bandwidth	10MHz/3MHz
Display Presentation Mode	Head-up, North-up, Course-up (N-up, C-up, are available when connected to JLR-10 or Magnetic Compass)
Range scales	1/8, 1/4, 1/2, 3/4, 1.5, 3, 6, 12, 24NM
Range rings	1/16, 1/8, 1/4, 1/4, 1/4, 1/2, 1, 2, 4NM
Bearing Accuracy	± 1 °
Low Noise Amp	Built-in

OUTLINE DRAWING

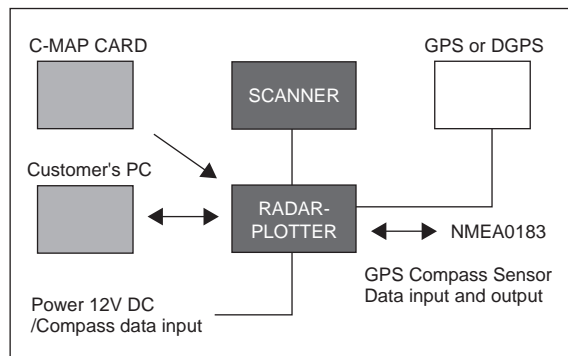


Specifications subject to change without notice. For further information, contact:

JRC Seattle Branch: 1011 SW Klickitat Way Bldg. B,
Suite 100, Seattle, WA98134, U.S.A.
Telephone: +1-206-654-5644
Facsimile: +1-206-654-7030
Homepage <http://www.jrcamerica.com>

JRC Amsterdam Branch: Cessnalaan 40-42, 1119 NL,
Schiphol-Rijk, THE NETHERLANDS
Telephone: +31-(0)20-658-0750
Facsimile: +31-(0)20-658-0755

SYSTEM CONFIGURATION



COMPONENTS

Description	Model Name	Q'ty	Remarks
Scanner unit	NKE-1065	1	
Display unit	NCD-4300	1	
Inter unit cable	CFQ-6531	1	10m or 15m (20m cable is option)
Power cable	CFQ-6532	1	2m
Installation tool		1set	
Instruction manual	7ZPRD0551	1	
Spare parts kit	7ZXR0004	1	
Sunshield		1	

OPTIONAL ACCESSORIES

Description	Model Name
GPS Sensor Unit	GPS112
DGPS Sensor Unit	DGPS212
GPS Compass Sensor Unit	JLR-10
Inter unit cable(20m)	CFQ-6531-20
Inter switch unit *1	NQE-1200

*1 to be released later



Since 1915

Japan Radio Co., Ltd.

URL <http://www.jrc.co.jp/>

Main Office: Akasaka Twin Tower(Main), 17-22,
Akasaka 2-chome, Minato-ku, Tokyo 107-8432, JAPAN
Telephone: +81-(0)3-3584-8833
Facsimile: +81-(0)3-3584-8757

Overseas Branches : Seattle, Amsterdam
Liaison Offices : Taipei, Pusan, Manila, Bangkok,
Singapore, Jakarta, New Delhi, New York, Piraeus,
Las Palmas

20EM

ISO9001, ISO14001 Certified

© 2001.7

CAT.No.Y14-184 (No.684-1-15) D Printed in Japan