

JRC GPS / DGPS DISPLAY

J-NAV 500

*For GPS, Try constructing
an ad based on the saying.
"Ignorance is Not Bliss"*



- GPS sensor GPS 100 or DGPS sensor DGPS 200 can be connected.
- Large LCD display to provide many graphical modes (CDI mode, PLOT mode, etc).
- Up to 20 routes and 500 waypoints are easily stored.



Mount the J-NAV500 display unit anywhere you want because it's totally waterproof.

Connect the J-NAV500 to the optional GPS 100 GPS Sensor or DGPS200 DGPS Sensor and it continuously tracks 8 satellites to give you an instant and accurate GPS position. Select a NAV, CDI, position or plotting screen 1/8 to 200nm scale and easily customize the display to show only the information you need.

Withr DGPS200 DGPS Sensor, your fixes will always be accurate within 45 feet(15meters).

20 routes and 500 waypoints can be stored in the J-NAV500. Scroll through them numerically or alphabetically.

SPECIFICATIONS

1.1 General

Display Type	STN LCD, 128×100 dots
Display Size	79×61mm
LCD Contrast	Set by Temperature sensor and manual.
Back lighting	EL for LCD and lamp for keyboard.
Dimmer	High-Low via keyboard.
Magnetic Variation	Automatic with year table and Manual
Geodetic Database	More than 46 Geodetic datum.
Position Correction	By Geodetic Datum or manual L/L entry
Waypoint Entry	Lat/Lon, TD and Bearing/Range
Waypoint Memories	a) 500 with up to 16 character alphanumeric designation.(8 characters for name and 8 characters for date stamp.) b) Selectable memory location. c) Scrolling waypoint list d) Sort waypoint(alphabetically).
Event Marks	500 Maximum;Save to next available waypoint memory with date stamp.
Selectable Units	NM/KTS, SM/MPH, KM/PH
Route Plan	20 plans 200 Waypoints maximum.
Plot function	1/8 NM to 200 NM.
Alarm	Waypoint Arrival, Cross Track Error, or Anchor watch by selected distance, search, D-GPS mode, and GPS position display.
Mode display	From other equipments in NMEA(WPL, RTE).
Data input	Single output port.
Data Output	NMEA 0183 GLL, VTG, APB, BWC, GGA, RCM, and RMB sentences.
Data Output Rate	GGA/RMC and RMB (2 seconds) and others(4 seconds).
Memory Backup	Lithium battery.
Power Requirements	10.8-16 VDC, less than 6 W(negative ground)

Special Modes

- a) Man Overboard (MOB).
- b) Simulator built in.
- c) Multi-language:English, German, Norwegian, French, Spanish and Italy.
- d) B/R calculation between any two waypoint.
- e) DGPS alarm.

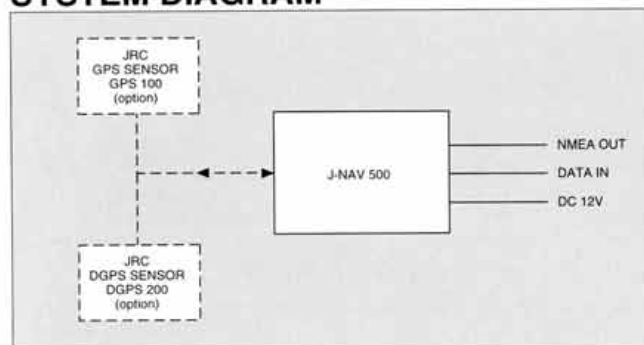
1.2 Display Data

Lat. and Long.	N or S+7 digits, .001min or 0.1sec resolution E or W+8 digits, .001min or 0.1sec resolution
Two time difference	6 digits respectively 0.1 sec.
Antenna Height	4 digits ; 1 meter resolution
Time to Go	4 digits ; max 99.59 hr
Speed & Course	To 0.1 kt/h or 0.1km/h resolution.
Cross Track Error	Graphic and direction indicator.
Time	Date and time in Local or UTC.
Satellite Status	Satellite #1D, Azimuth angle, Elevation angle, and SNR.
Offline CC	Lat/Lon and converted TD.
Bearing	3 digits, 1 degree resolution.
Range	4 digits, 0.01 NM resolution.

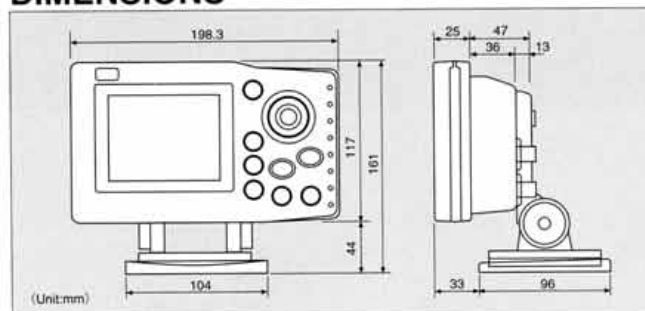
1.3 Physical and Environmental

Operating Temperature	-15°C to +55°C
Storage Temperature	-40°C to +85°C
Dimensions/Weight	(H)161×(W)198.3×(D)129mm/0.8kg

SYSTEM DIAGRAM



DIMENSIONS



● Specifications subject to change without notice. For further information, contact:

Seattle Branch Office: 1011 SW Klickitat Way Bldg.
B,Suite 100
Seattle, WA98134, U.S.A.
Phone:1-206-654-5644
Fax: 1-206-654-7030

JRC (UK) Ltd.: Suite 100, Temple Chambers,
Temple Avenue,
London EC4Y OHP, U.K.
Phone:44-171-353-7960/583-7440
Fax: 44-171-353-3321



Japan Radio Co., Ltd.

Since 1915 JRC Homepage <http://www.jrc.co.jp/>

Main Office: Akasaka Twin Tower(Main), 17-22,
Akasaka 2-chome, Minato-ku, Tokyo 107, JAPAN
Telephone: Tokyo(03)3584-8789, 8832

Facsimile: Tokyo(03)3584-8795

Telex: 2425420 JRCTOK J Cable: JAPANRADIO TOKYO

Overseas Branches : New York, Seattle, London

Liaison Offices : Kaohsiung, Manila, Bangkok, Singapore, Jakarta, New Delhi, Rotterdam, Piraeus, Las Palmas, Rio de Janeiro



ISO 9001

Certificate No.
JQA-0591

Certificate No.
FM 30249



16EM